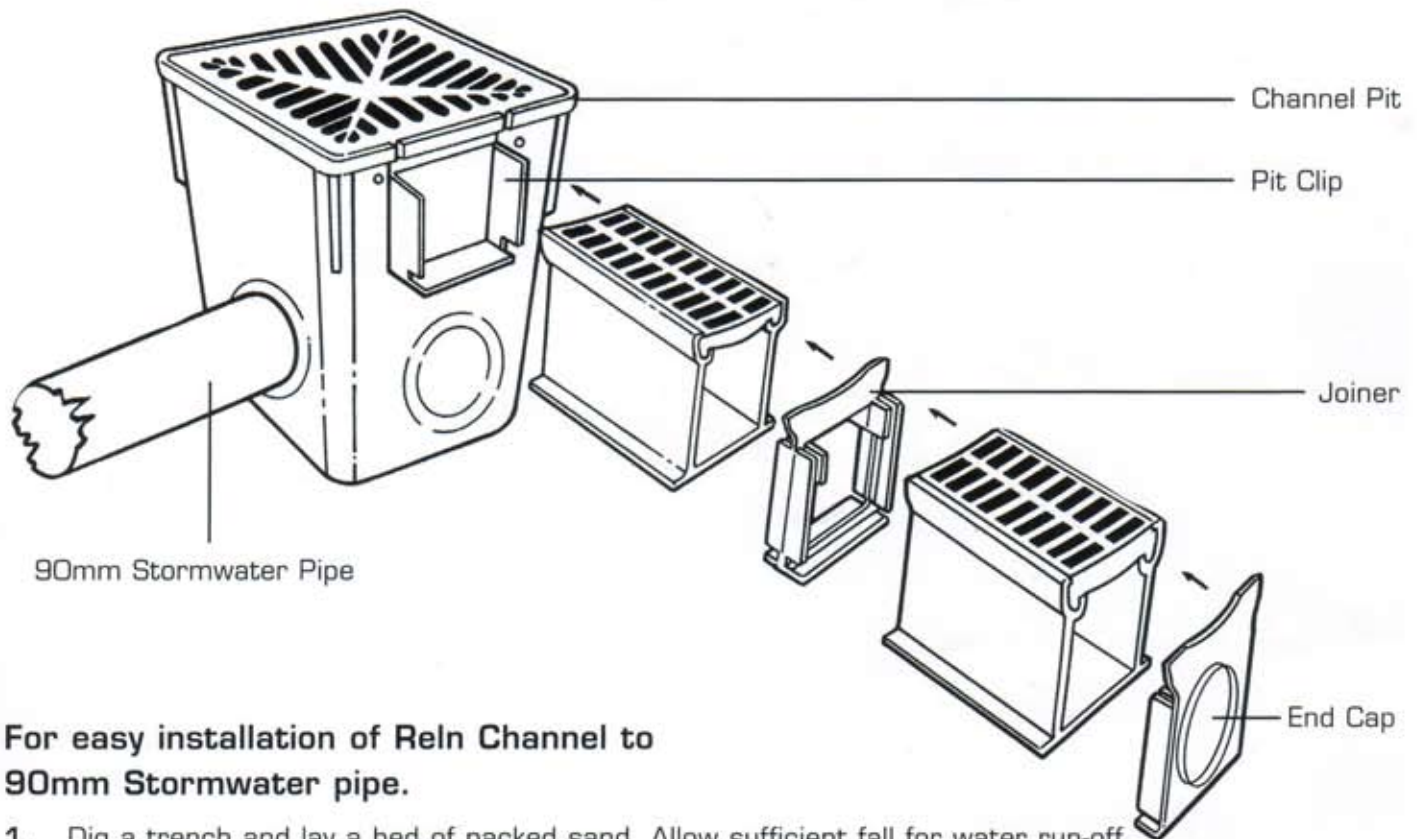


INSTALLATION INSTRUCTIONS



For easy installation of Reln Channel to 90mm Stormwater pipe.

1. Dig a trench and lay a bed of packed sand. Allow sufficient fall for water run-off.
 2. Do not remove Grate from Reln Channel until installation is complete.
 3. Cover Grate with builders tape (50mm sticky tape) to prevent concrete from falling into the Channel during concrete pour.
 4. Lay Reln Channel components in trench and cut last length to size.
 5. Use Joiner supplied to join more than one length.
 6. Use End Cap to finish a drain or cut out centre disc to connect 90mm stormwater pipe.
 7. Use the Reln Pit Clip to join channel to the Reln Channel Pit. (Refer to Channel Pit brochure).
 8. Join Reln Channel lengths, using silicon to provide a seal to all components.
 9. For passenger vehicle traffic, Reln Channel should be set in concrete with expansion joint material on each side.
 10. Pour concrete. Finish about 2mm above Grate and grade for water flow to Grate. Allow 72 hours before vehicular use or removal of grates. (Remove sticky tape from top of grate).
- * Note One Reln Channel Joiner is included with each 1m or 3m length of Reln Channel. The Reln Channel End Cap can be used to connect to 90mm Stormwater pipe. The Reln Channel Pit Clip (Reg.Des. App. No. 964/95) can be used to join Reln Channel to the Reln Channel pit.

Reln Plastics 14B Williamson Road Ingleburn Sydney NSW Australia 2565.
Phone 1300 137 356 sales@reln.com.au www.reln.com.au



RDFS/2003

AVAILABLE FROM