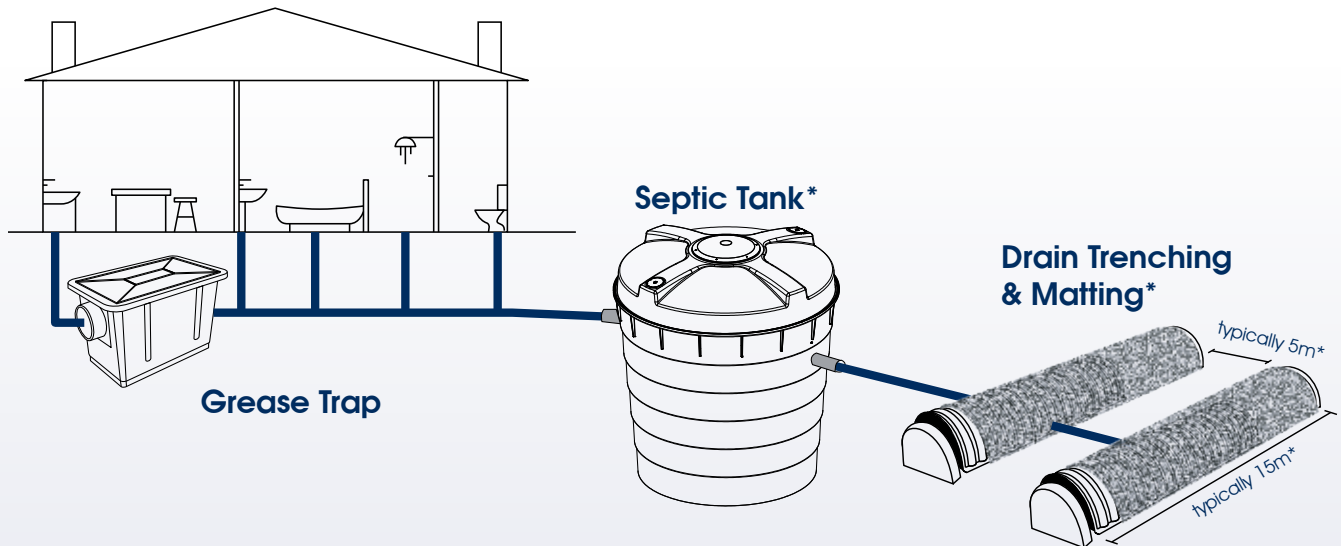


RELN

>blackwater



RELN 18L Grease Trap

- Reduces fats and oils entering Septic Tanks from the kitchen sink
- Suits 100mm AS/NZS1260 DWV uPVC Pipe
- 100mm Inlet Socket
- 100mm Outlet Spigot
- Heavy Duty 10mm thick walls
- 3 Baffles

*Check with your local planning authority for specification before installing your septic system

Install at ground level in a safe, non-traffic area for easy cleaning access

Connects with 100mm PVC sewer pipe with silicone

Components:



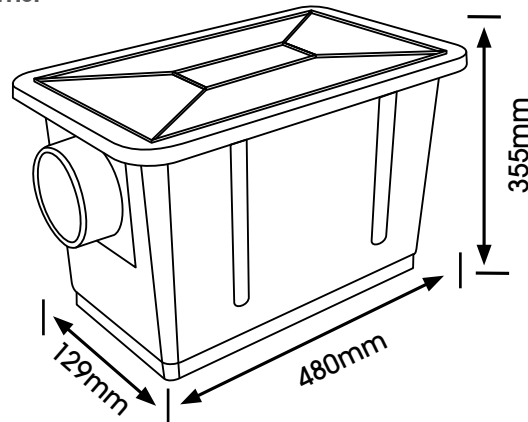


Grease Trap

RELN Grease Trap has been designed specifically for domestic effluent disposal, to reduce fats and oils entering septic tanks from kitchen sinks. Install Grease Trap at ground level in a safe non-traffic area for easy cleaning access, in between kitchen 100mm PVC pipe and Septic Systems.

> Grease Trap
Capacity 18L
480mm x 260mm x 355mm

- Suits 100mm AS/NZS1260 DWV uPVC Pipe
- 100mm Inlet Socket
- 100mm Outlet Spigot
- Heavy Duty 10mm thick walls
- 3 Baffles
- Invert fall of 30mm



18L Grease Trap

Grease Trap - 18L Baffle Only

Product Code: 000921

Weight: 0.12kg



Grease Trap - 18L Complete

Product Code: 000914

Weight: 6.5kg



Grease Trap - 18L Lid Only

Product Code: 000945

Weight: 1.5kg



Grease Trap - 18L Bin Only

Product Code: 000938

Weight: 4.9kg



> Frequently Asked Questions

Q1. Where is the grease trap used?

A. Grease traps are used before the Septic Tank system, connected to the pipe run from your kitchen. The grease trap reduces the amount of fats and oils entering your Septic Tank.

Q2. Why should a grease trap be used?

A. Fats and oils increase the "Biological load" in a tank and

reduce the ability of anaerobic bacteria to digest the effluent sludge. Fats and oils overflowing into evapo-transpiration trenches is a major cause of trench system failure.

Q3. Does the Grease Trap need to be cleaned?

A. You will need to clean your grease trap regularly. Please contact your local grease trap disposal company for cleaning.