



Health

Certificate of Accreditation

Sewage Management Facility

Septic Tanks, Collection Wells and Pump Wells

This Certificate of Accreditation is issued by the Secretary of the NSW Ministry of Health pursuant to Clause 41(1) of the Local Government (General) Regulation 2005.

Manufacturer: Reln Pty Ltd

Of: 14 Williamson Road, Ingleburn, NSW, 2565

The Reln Septic Tanks, Collection Wells and Pump Wells as described in the following Schedule have been accredited as sewage management facilities for use in single domestic premises in NSW.

*A/Director, Environmental Health
for Secretary (delegation PH335)*

Issued: 21 November 2017

Certificate No: STCW 002

Expires: 31 December 2022



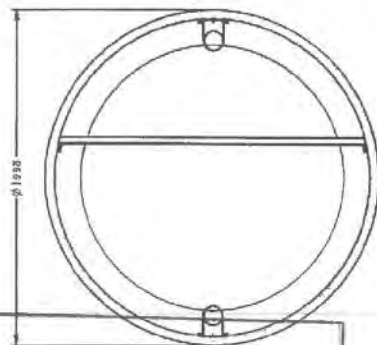
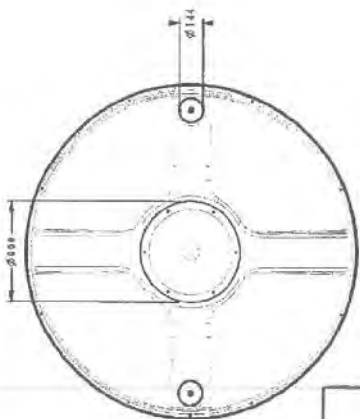
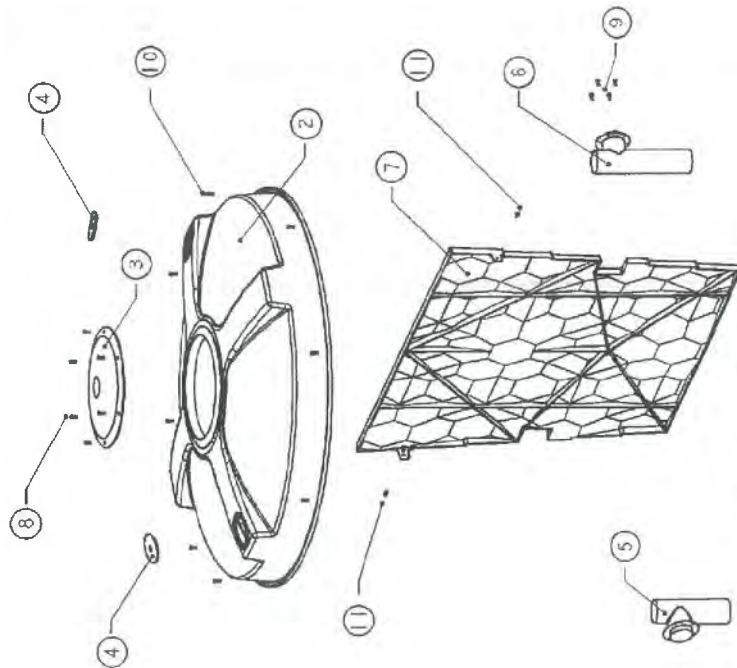
Health

Accreditation Schedule

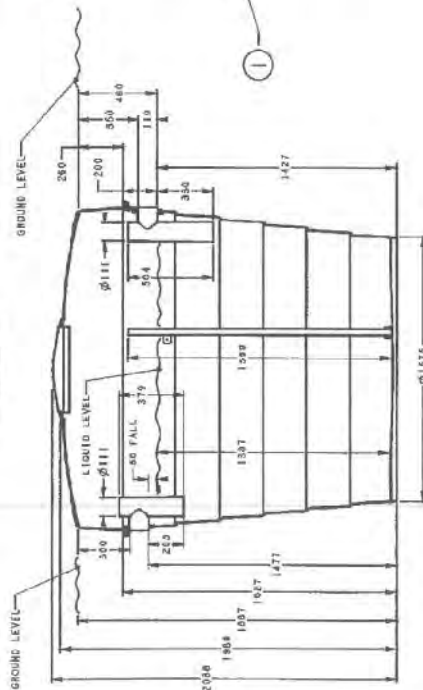
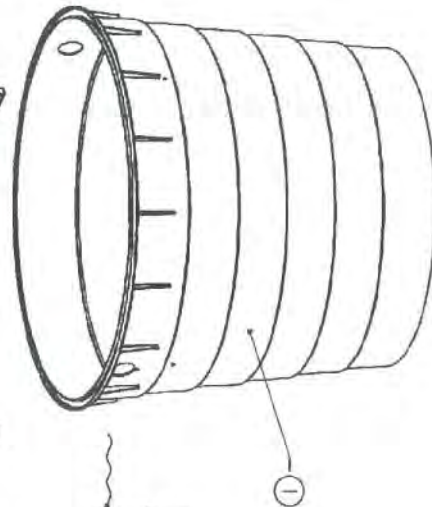
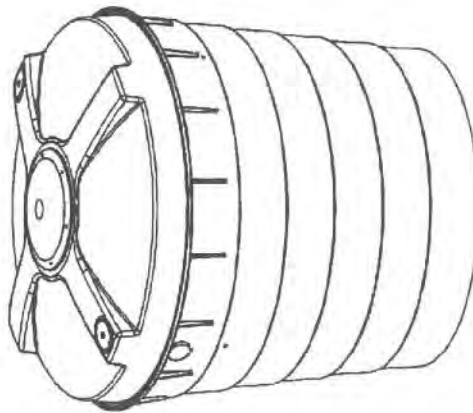
*The Certificate of Accreditation applies to the following
Septic Tanks and Collection Wells*

Model	Description	Size
Septic Tank	Vertical axis type cylindrical (tapered) injection moulded polypropylene tank. Tank, lid, access and inspection covers contain an ultra violet stabilizer. 4000 L tank is fitted with riser, baffle extension and reinforced structural brace ring. Tank lid burial depth is restricted to 0 mm	3200 L 3200L Deep Invert 4000 L
Collection Well	Vertical axis type cylindrical (tapered) injection moulded polypropylene tank. Tank, lid, access and inspection covers contain an ultra violet stabilizer. 4000 L tank is fitted with riser and reinforced structural brace ring. Tank lid burial depth is restricted to 0 mm	3200 L 3200L Deep Invert 4000 L
Pump Well	Vertical axis type cylindrical (tapered) injection moulded polypropylene tank. Tank, lid and access cover contain an ultra violet stabilizer. Tank lid burial depth is restricted to 0 mm	450/600 L

ITEM	DESCRIPTION	QTY	REMARKS
1	Assembled Rectang. Inc. Barfite	1	130 kg
2	Assembled Height	1	122 kg
3	Barfite Bolt, Washer, Nut	2	M6 x 50, S16SS
4	Lid Bolt, Washer, Nut	8	M6 x 30, S16SS
5	T Junction Stir Tapping Screw	8	BD-ND-PK-REC, 10 x 1", S16SS
6	Hexhls Self Tapping Screw	8	BD-ND-PK-REC, 10 x 1", S16SS
7	Barfite (Optional)	1	Polypropylene
8	Outlet T Junction	1	ABS
9	Inlet T Junction	1	ABS
10	Inspection Cover	2	Polypropylene
11	Mobile Cover	1	Polypropylene
12	Test Lid	1	Polypropylene
13	Test Base	1	Polypropylene



APPROVED
 2 1 NOV 2017
 NSW MINISTRY OF HEALTH



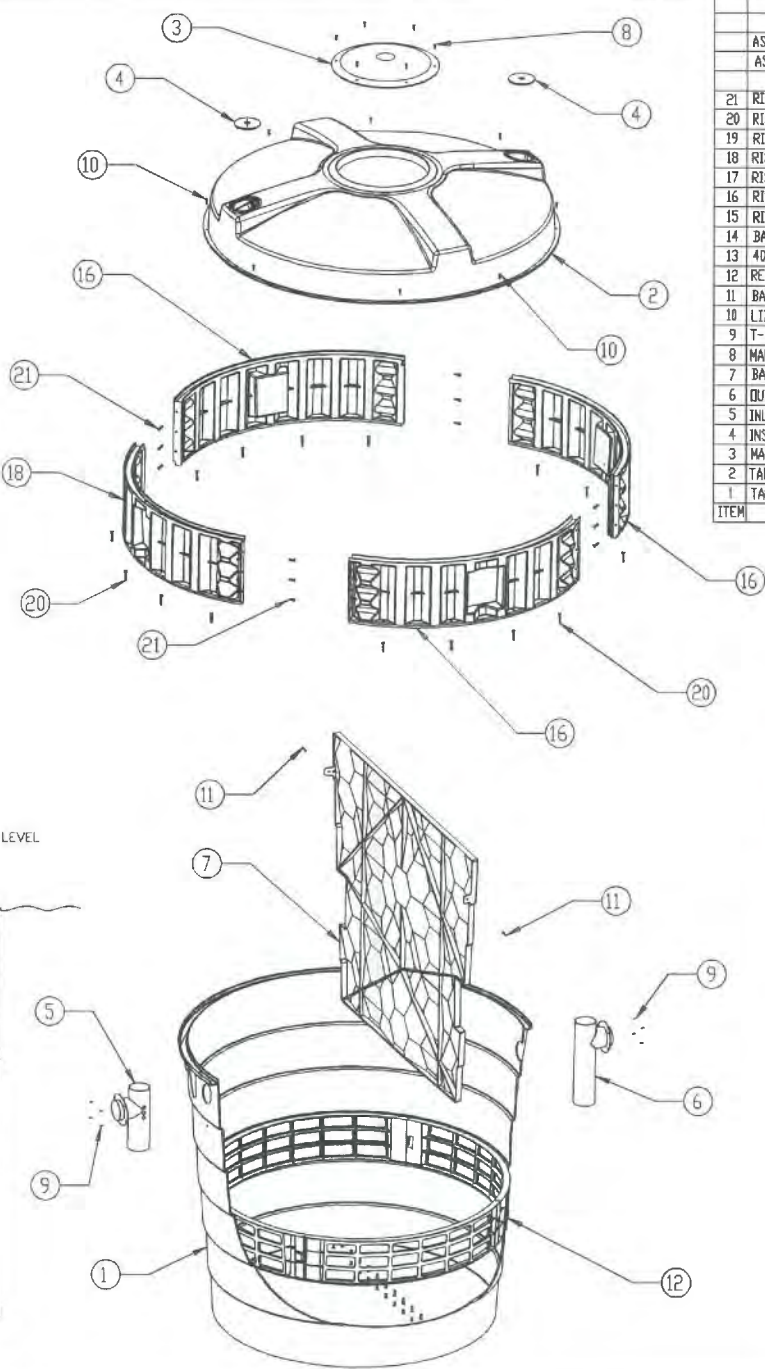
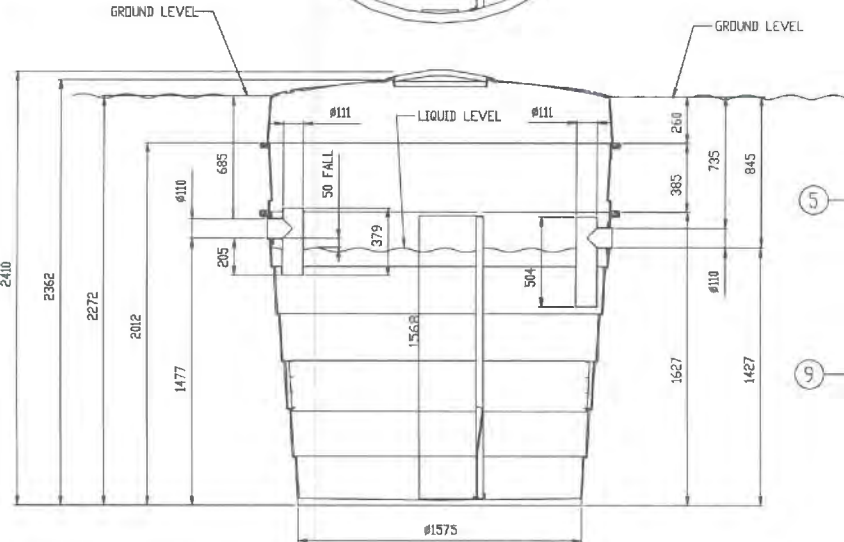
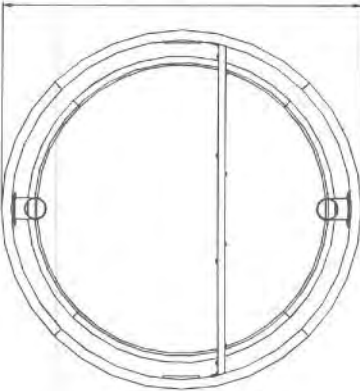
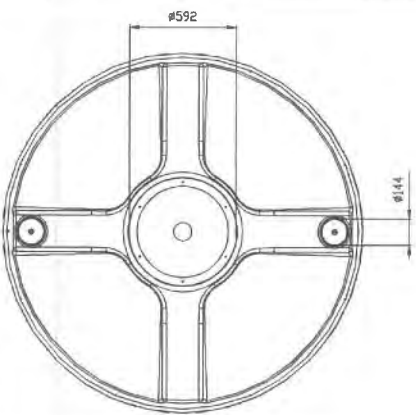
REIN PTY LTD
 TITLE: 2000 LITRE SEPTIC TANK
 Drawing No.: AZ-31-100401
 APPROVED BY: *[Signature]* DATE: 12 NOV 2004

THIS DRAWING MUST NOT BE COPIED OR DISTRIBUTED IN ANY FORM WITHOUT THE PRIOR WRITTEN PERMISSION OF REIN.

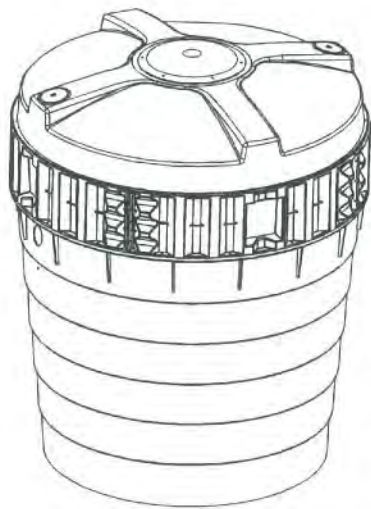
DIMENSIONS NOMINAL

© REIN PTY LTD 2004

NSW MINISTRY OF HEALTH
 2 1 NOV 2017
 APPROVED



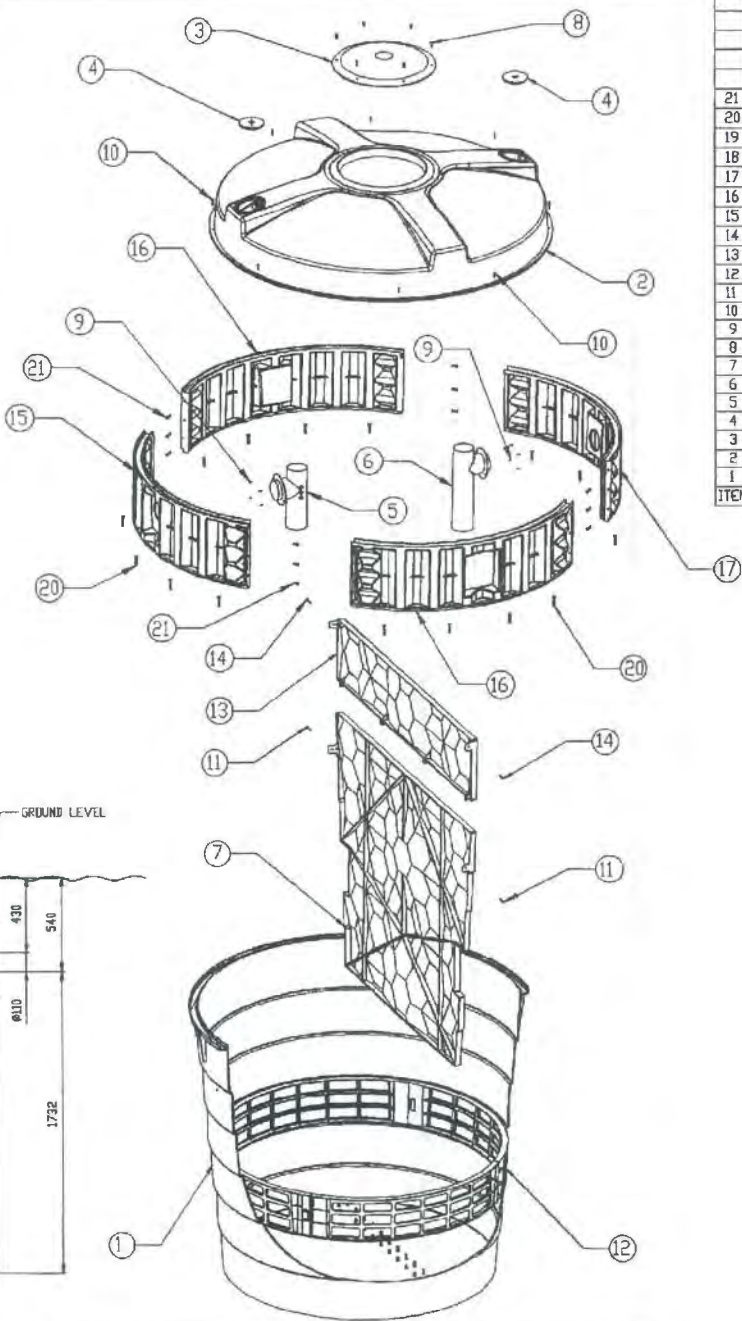
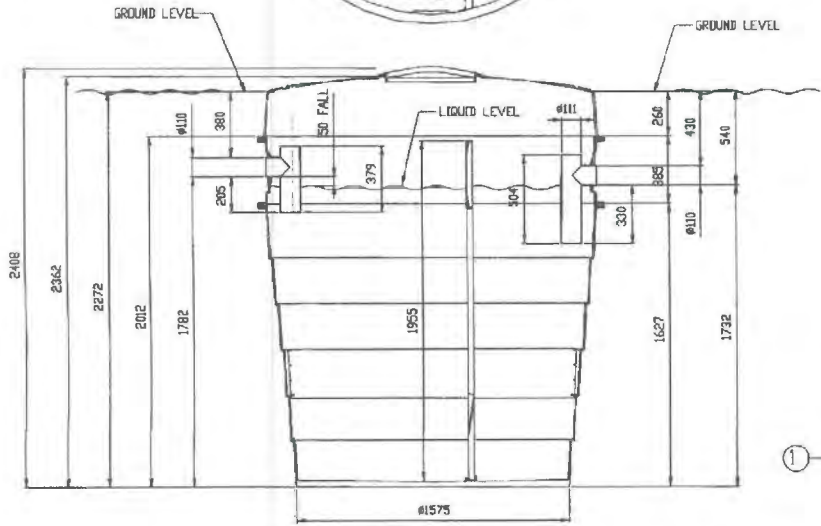
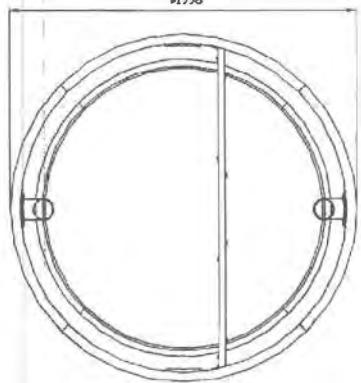
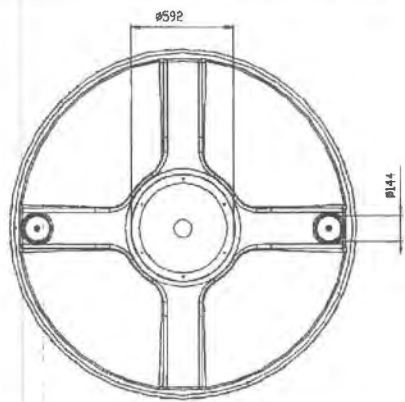
ITEM	DESCRIPTION	QTY	REMARKS
ASSEMBLED WEIGHT INCL. BAFFLE		177kg	
ASSEMBLED WEIGHT		159kg	
21	RISER RING SIDE - BOLT, WASHER, NUT	12	M8 x 40, 316 SS
20	RISER - TANK BOLT, WASHER, NUT	16	M8 x 50, 316 SS
19	RISER OUTLET PANEL KEYED	0	POLYPROPYLENE
18	RISER SIDE PANEL - KEYED	1	POLYPROPYLENE
17	RISER OUTLET PANEL	0	POLYPROPYLENE
16	RISER SIDE PANEL	3	POLYPROPYLENE
15	RISER INLET PANEL - KEYED	0	POLYPROPYLENE
14	BAFFLE EXTENSION - BOLT, WASHER, NUT	0	M6 x 30, 316 SS
13	400L BAFFLE EXTENSION	0	POLYPROPYLENE
12	REINFORCING RING SEGMENT	4	POLYPROPYLENE
11	BAFFLE - BOLT, WASHER, NUT	2	M6 x 30, 316 SS
10	LTD - BOLT, WASHER, NUT	8	M6 x 30, 316 SS
9	T- JUNCTION - SELF TAPPING SCREW	8	BDJHD,P,HREC 10x1" 316SS
8	MANHOLE - SELF TAPPING SCREW	6	BDJHD,P,HREC 10x1" 316SS
7	BAFFLE	1	POLYPROPYLENE
6	OUTLET T- JUNCTION	1	ABS
5	INLET T- JUNCTION	1	ABS
4	INSPECTION COVER	2	POLYPROPYLENE
3	MANHOLE COVER	1	POLYPROPYLENE
2	TANK LID	1	POLYPROPYLENE
1	TANK BASE	1	POLYPROPYLENE



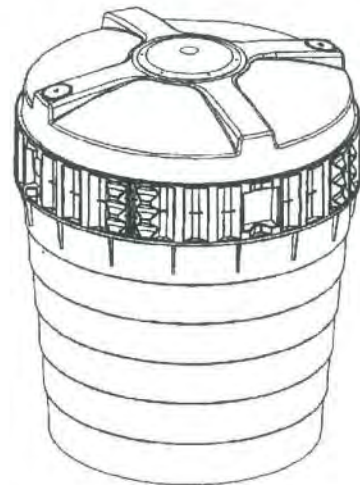
Note:
 Only one riser can be fitted to 3200L tank.
 Riser may only be fitted to 3200L tank with factory fitted reinforced structural brace ring.

RELN PTY LTD		
TITLE:	3200 L DEEP INVERT SEPTIC TANK	
DRAWING No.	A2 - ST - 3200SR	
DRAWN BY:	S.W.	DATE: 24.08.2010
APPROVED BY:	D.L.	DATE: 15.10.2010

NSW MINISTRY OF HEALTH
 APPROVED
 2 1 NOV 2017



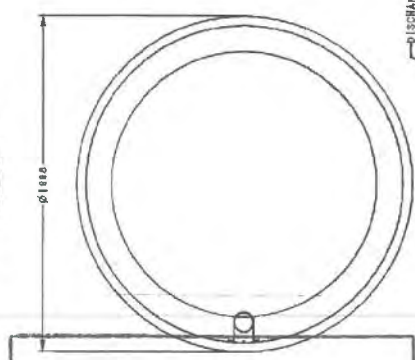
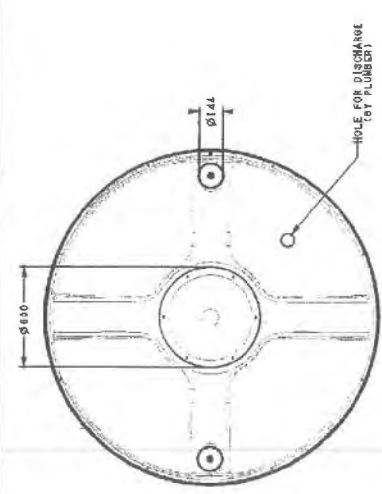
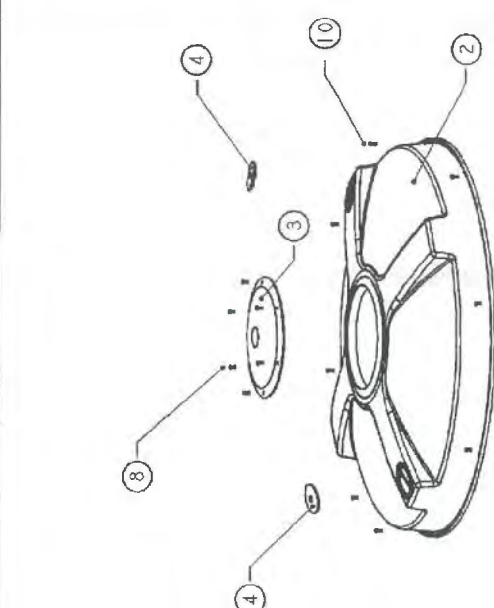
ITEM	DESCRIPTION	QTY	REMARKS
	ASSEMBLED WEIGHT INCL. BAFFLE		181Kg
	ASSEMBLED WEIGHT		159Kg
21	RISER RING SIDE- BOLT, WASHER, NUT	12	M8 x 40, 316 SS
20	RISER - TANK BOLT, WASHER, NUT	16	M8 x 50, 316 SS
19	RISER OUTLET PANEL KEYED	0	POLYPROPYLENE
18	RISER SIDE PANEL - KEYED	0	POLYPROPYLENE
17	RISER OUTLET PANEL	1	POLYPROPYLENE
16	RISER SIDE PANEL	2	POLYPROPYLENE
15	RISER INLET PANEL - KEYED	1	POLYPROPYLENE
14	BAFFLE EXTENSION - BOLT, WASHER, NUT	2	M6 x 30, 316 SS
13	4000L BAFFLE EXTENSION	1	POLYPROPYLENE
12	REINFORCING RING SEGMENT	4	POLYPROPYLENE
11	BAFFLE - BOLT, WASHER, NUT	2	M6 x 30, 316 SS
10	LID - BOLT, WASHER, NUT	8	M6 x 30, 316 SS
9	T- JUNCTION - SELF TAPPING SCREW	8	BD,HD,PHREC 10x4 316SS
8	HANHOLE - SELF TAPPING SCREW	6	BD,HD,PHREC 10x4 316SS
7	BAFFLE	1	POLYPROPYLENE
6	OUTLET T- JUNCTION	1	ABS
5	INLET T- JUNCTION	1	ABS
4	INSPECTION COVER	2	POLYPROPYLENE
3	HANHOLE COVER	1	POLYPROPYLENE
2	TANK LID	1	POLYPROPYLENE
1	TANK BASE	1	POLYPROPYLENE



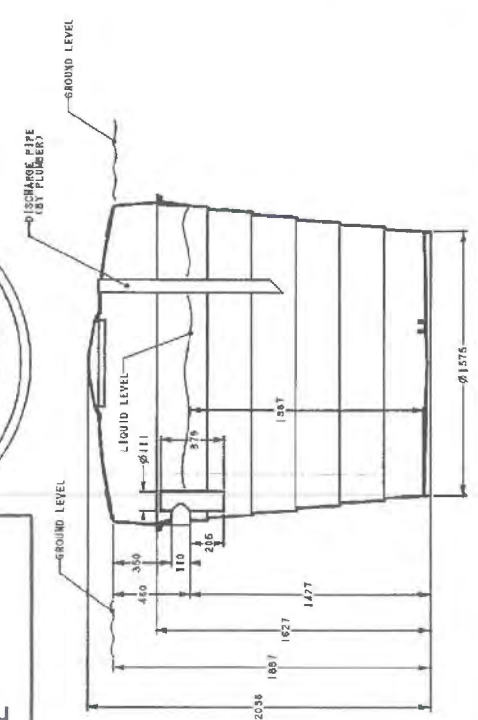
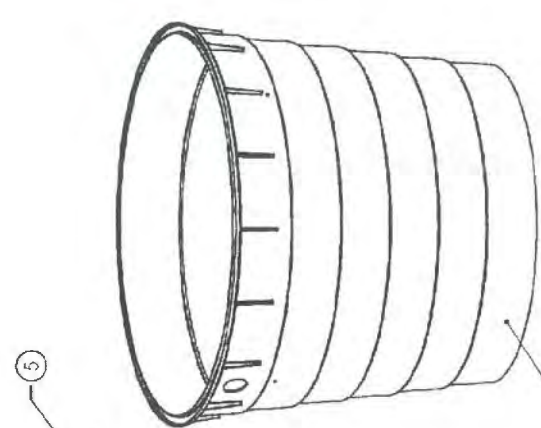
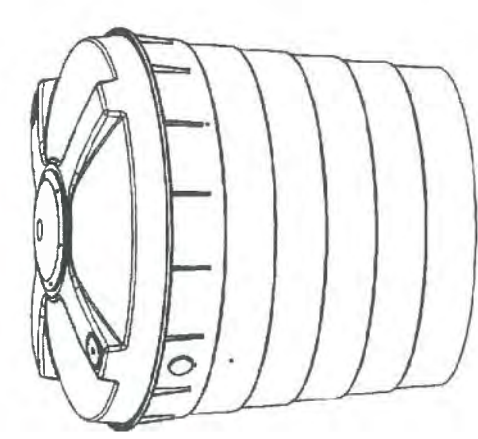
Note:
 4000L tank base supplied factory assembled and sealed including reinforcing brace ring and tank base extensions predrilled to nominal capacity of 4000L (other than Baffles and T-junctions)
 A riser must not be fitted to 4000L tank

RELN PTY LTD			
TITLE:	4000 L SEPTIC TANK		
DRAWING No.	A2 - ST - 4000S		
DRAWN BY:	S.W.	DATE:	24.08.2010
APPROVED BY:	D.L.	DATE:	15.10.2010

ITEM	DESCRIPTION	QTY	REMARKS
1	Tank base	1	Polycarbonate
2	Tank lid	1	Polycarbonate
3	Manhole cover	1	Polycarbonate
4	Injection cover	2	Polycarbonate
5	Inlet T-junction	1	ABS
6	Outlet T-junction	0	Not Required
7	Baffles (Optional)	0	Not Required
8	Manhole self-tapping screw	6	BD, HD, PH, REC, 10 x 1" .316SS
9	T-junction self-tapping screw	4	BD, HD, PH, REC, 10 x 1" .316SS
10	Lid bolt, washer, nut	6	M6 x 30, 316SS
11	Baffle bolt, washer, nut	2	M6 x 30, 316SS



APPROVED
 21 NOV 2017
 NSW MINISTRY OF HEALTH



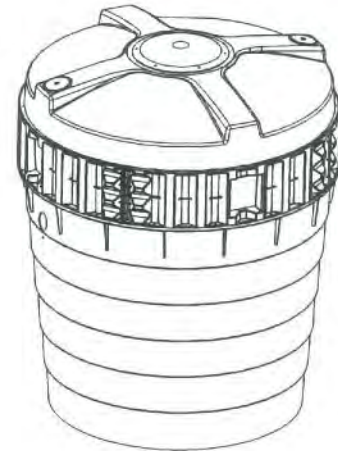
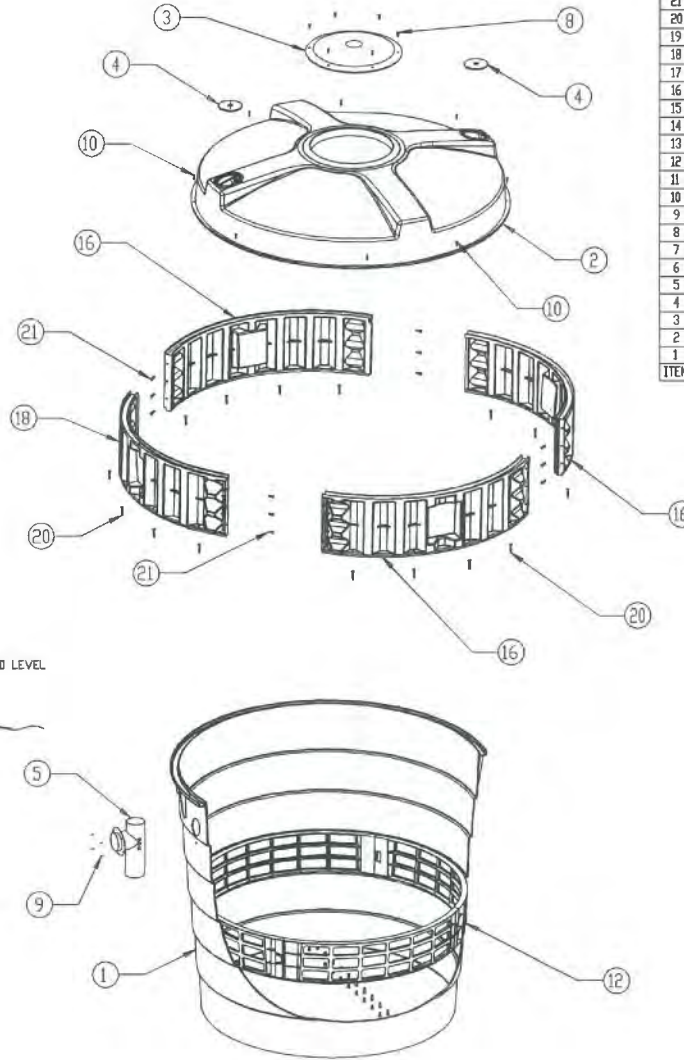
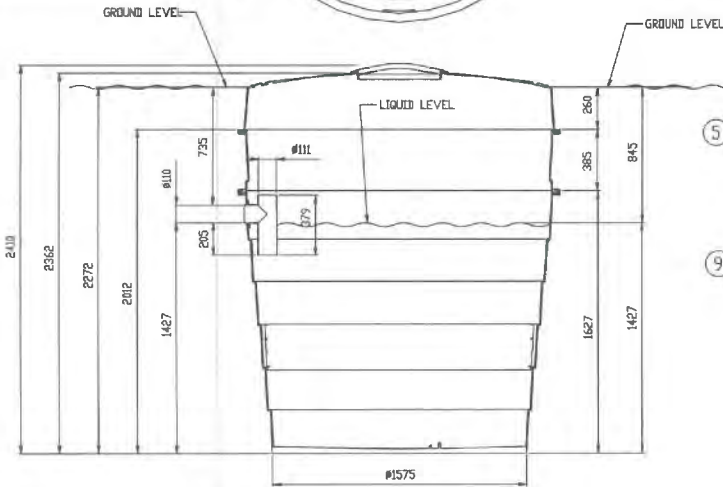
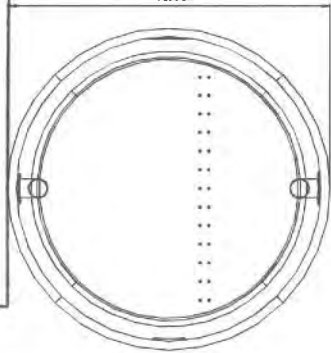
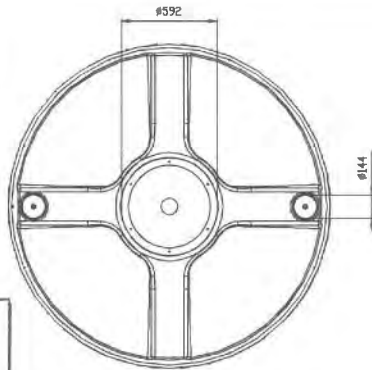
RELN PTY LTD
 TYPE: 3200 LITRE HOLDING TANK
 DRAWING No.: A2-ST-100462
 APPROVED BY: *[Signature]* DATE: 17 NOV 2004

THIS DRAWING MUST NOT BE COPIED OR DISTRIBUTED IN ANY FORM WITHOUT THE PRIOR WRITTEN PERMISSION OF RELN.

DIMENSIONS NOMINAL

© RELN PTY LTD 2004

NSW MINISTRY OF HEALTH
 2 1 NOV 2017
 APPROVED

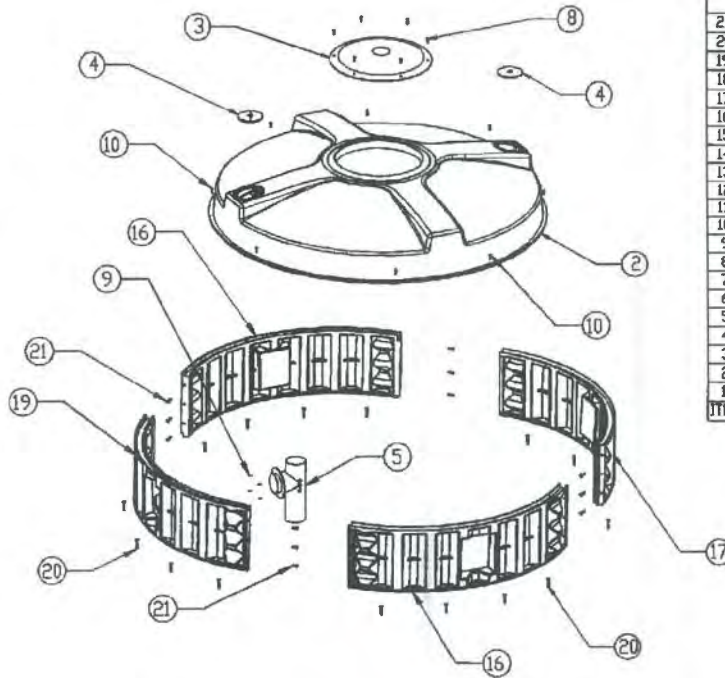
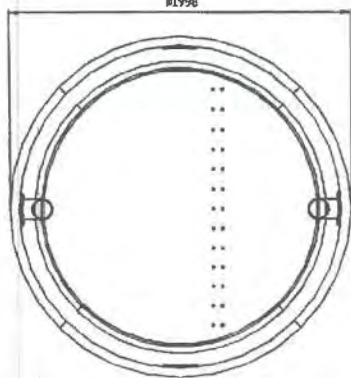
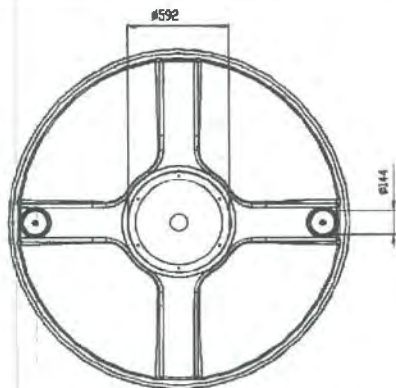


ASSEMBLED WEIGHT INCL. BAFFLE			
ASSEMBLED WEIGHT		158Kg	
21	RISER RING SIDE- BOLT, WASHER, NUT	12	M8 x 40, 316 SS
20	RISER - TANK BOLT, WASHER, NUT	16	M8 x 50, 316 SS
19	RISER OUTLET PANEL - KEYED	0	POLYPROPYLENE
18	RISER SIDE PANEL - KEYED	1	POLYPROPYLENE
17	RISER OUTLET PANEL	0	POLYPROPYLENE
16	RISER SIDE PANEL	3	POLYPROPYLENE
15	RISER INLET PANEL - KEYED	0	POLYPROPYLENE
14	BAFFLE EXTENSION - BOLT, WASHER, NUT	0	M6 x 30, 316 SS
13	4000L BAFFLE EXTENSION	0	POLYPROPYLENE
12	REINFORCING RING SEGMENT	4	POLYPROPYLENE
11	BAFFLE - BOLT, WASHER, NUT	0	M6 x 30, 316 SS
10	LID - BOLT, WASHER, NUT	8	M6 x 30, 316 SS
9	T- JUNCTION - SELF TAPPING SCREW	4	BD,HD,F,HREC 10x1 316SS
8	HANDLE - SELF TAPPING SCREW	6	BD,HD,F,HREC 10x1 316SS
7	BAFFLE	0	POLYPROPYLENE
6	OUTLET T- JUNCTION	0	ABS
5	INLET T- JUNCTION	1	ABS
4	INSPECTION COVER	2	POLYPROPYLENE
3	HANDLE COVER	1	POLYPROPYLENE
2	TANK LID	1	POLYPROPYLENE
1	TANK BASE	1	POLYPROPYLENE
ITEM	DESCRIPTION	QTY	REMARKS

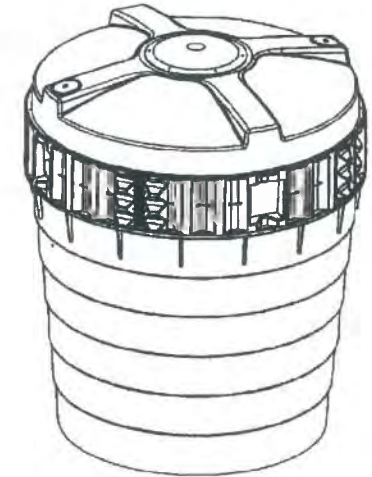
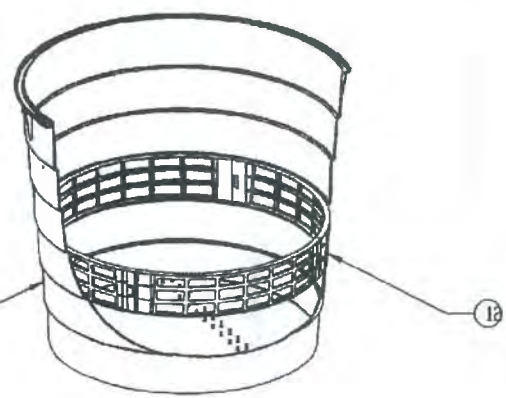
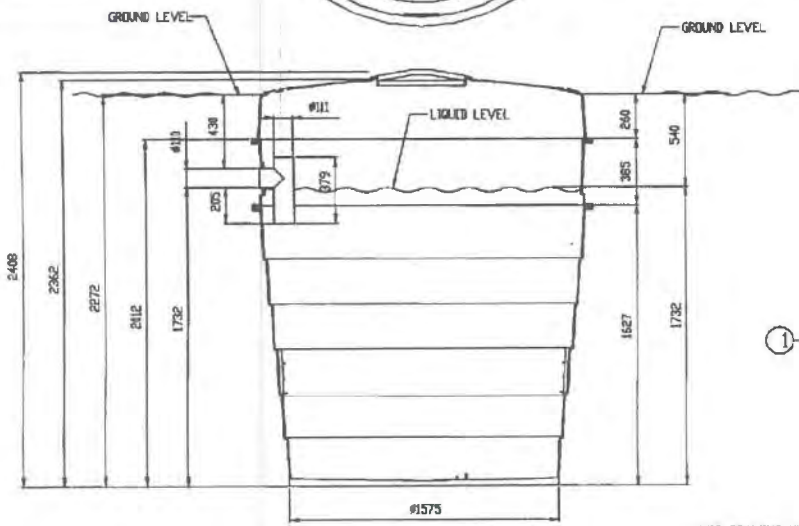
Note:
 Only one riser can be fitted to 3200L tank
 Riser may only be fitted to 3200L tank with factory fitted reinforced structural brace ring

RELN PTY LTD			
TITLE:	3200 L DEEP INVERT HOLDING TANK		
DRAWING No.	A2 - ST - 3200HR		
DRAWN BY:	S.W.	DATE:	24.08.2010
APPROVED BY:	D.L.	DATE:	15-10-2010

NSW MINISTRY OF HEALTH
 2 1 NOV 2017
 APPROVED



ITEM	DESCRIPTION	QTY	REMARKS
21	RISER RING SIDE - BOLT, WASHER, NUT	12	M8 x 40, 316 SS
20	RISER - TANK BOLT, WASHER, NUT	16	M8 x 50, 316 SS
19	RISER HOLDING TANK PANEL KEYED	1	POLYPROPYLENE
18	RISER SIDE PANEL - KEYED	0	POLYPROPYLENE
17	RISER OUTLET PANEL	0	POLYPROPYLENE
16	RISER SIDE PANEL	3	POLYPROPYLENE
15	RISER INLET PANEL - KEYED	0	POLYPROPYLENE
14	BAFFLE EXTENSION - BOLT, WASHER, NUT	0	M6 x 30, 316 SS
13	4000L BAFFLE EXTENSION	0	POLYPROPYLENE
12	REINFORCING RING SEGMENT	4	POLYPROPYLENE
11	BAFFLE - BOLT, WASHER, NUT	0	M6 x 30, 316 SS
10	LID - BOLT, WASHER, NUT	8	M6 x 30, 316 SS
9	T - JUNCTION - SELF TAPPING SCREW	4	DJ40.P/REC 10d" 316SS
8	MANHOLE - SELF TAPPING SCREW	6	DJ40.P/REC 10d" 316SS
7	BAFFLE	0	POLYPROPYLENE
6	OUTLET T - JUNCTION	0	ABS
5	INLET T - JUNCTION	1	ABS
4	INSPECTION COVER	2	POLYPROPYLENE
3	MANHOLE COVER	1	POLYPROPYLENE
2	TANK LID	1	POLYPROPYLENE
1	TANK BASE	1	POLYPROPYLENE
ASSEMBLED WEIGHT INCL. BAFFLE			
ASSEMBLED WEIGHT			159kg



Note:
 4000L tank base supplied factory assembled and sealed including reinforcing brace ring and tank base extensions provided to nominal capacity of 4000L (other than T-Junctions)
 A filler must not be fitted to 4000L tank
 Discharge pipe by plumber

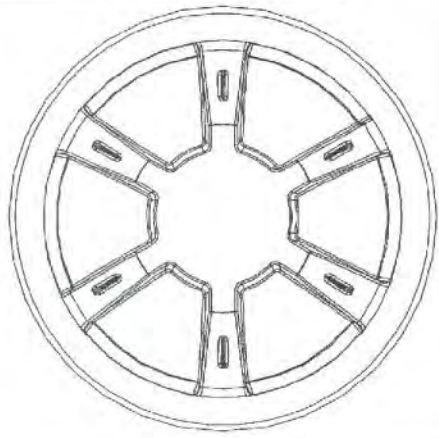
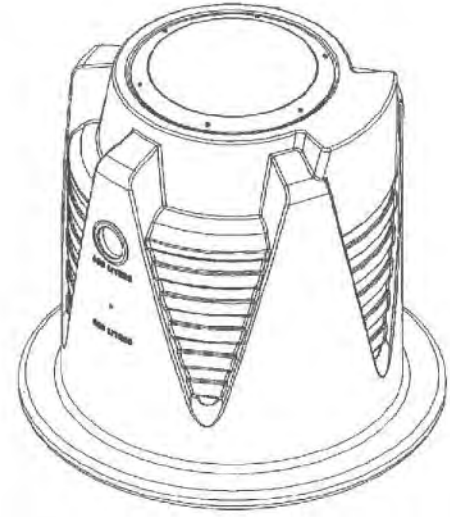
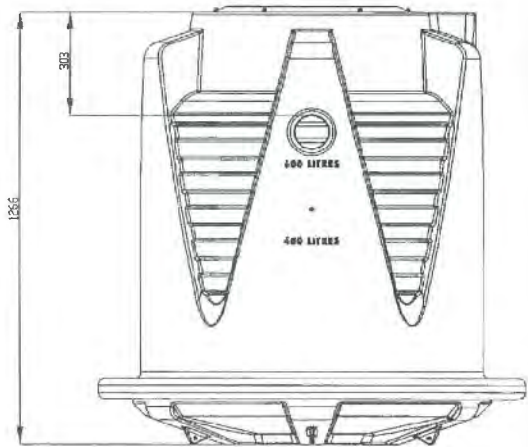
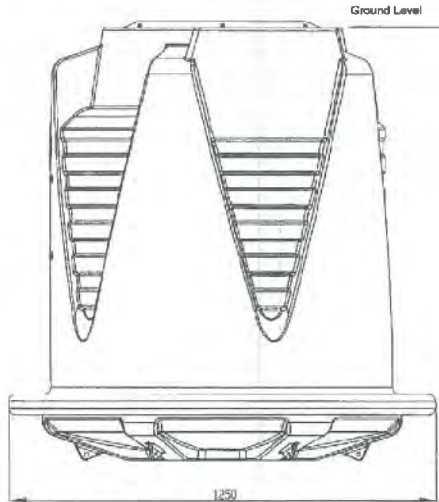
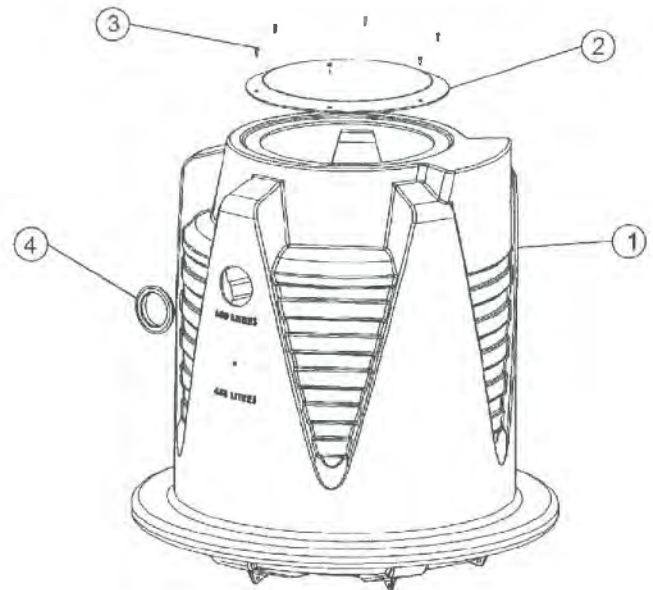
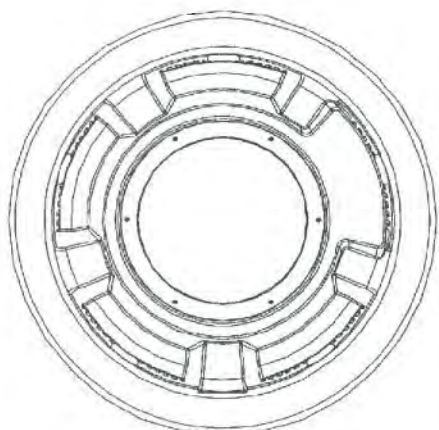
RELN PTY LTD			
TITLE:	4000 L HOLDING TANK		
DRAWING No.	A2 - ST - 4000H		
DRAWN BY:	S.W.	DATE:	24.08.2010
APPROVED BY:	D.L.	DATE:	15.10.2010

© RELN PTY LTD 2010

DIMENSIONS NOMINAL

THIS DRAWING MUST NOT BE COPIED OR DISTRIBUTED IN ANY FORM WITHOUT THE PRIOR WRITTEN PERMISSION OF RELN

ITEM	DESCRIPTION	QTY	MATERIAL
1	Base	1	LLDPE UV
2	Manhole Cover	1	PP UV
3	Screws 10g Self Tapping	6	316 Stainless Steel
4	Sealing Ring	1	Rubber/Elastomer



APPROVED
 2 1 NOV 2017
 NSW MINISTRY OF HEALTH